



**CRN TECNOPART, S.A.**

Sant Roc 30  
08340 VILASSAR DE MAR (Barcelona)  
Tel: 937 591 484 Fax: 937 591 547  
e-mail: crn@crntp.com - www.crntecnopart.com

**AT-160.10E**

## ELECTRICAL AIR HEATERS

### MULTI-USE ELECTRICAL AIR HEATERS FOR MOBILE OR WALL INSTALLATION, ANB RANGE

Model ANB 3,6 is only for mobile use or fixed installation at 1.8m minimum height.

The rest of the range of FHA air heaters are for mobile use or fixed installation at any height of the wall. If the ANB air heater is used as mural, it will fix on with the corresponding accessory.

The wall fixing accessory allows the heater to be orientated in any direction thanks to its rotating capability up to 180°.



The ANB electric air heater complies with EN 60335-1 norm and its correspondent 2-30. It is a Class I electrical apparatus.

Model ANB3,6 is monophasic supply with earth connection.

Model ANB3,6SN and FHA6SN is three-phase supply with earth connection.

Models ANB3,6B, ANB6, ANB9, ANB12 and ANB17 are three-phase supply with neutral and earth connection.

The ANB can be used as a mobile unit or as a fixed unit at any height of the wall. It allows the heat to be directed vertically or horizontally with the wall fixed accessory.

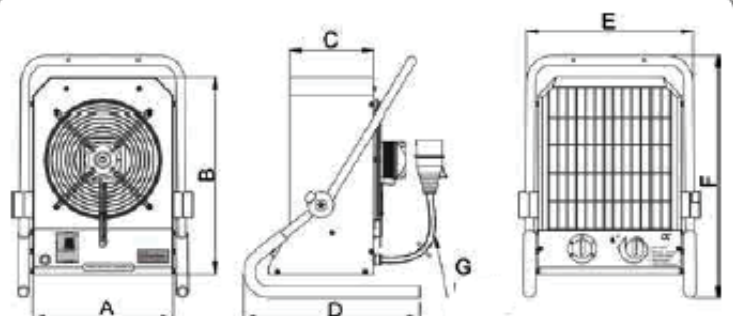
The ANB range is accredited by the prestigious laboratories of certification LGAI and TÜV in which they incorporate their respective brands, with the exception of models ANB3,6SN, ANB3,6B and ANB6SN.

#### General characteristics

- Wide operation possibilities that allow optimisation according to working conditions: from one to three heating stages plus one single ventilation function
- Room temperature selector. (Max approx. 39 °C)
- All models with hose cable (length 1.7 ms ANB3\_6 - 6 - 9 and length 2.1 m ANB12-17) and attachment plug type CETAC for the three-phase models and Schuko type of 16 A for model ANB3\_6.
- 5 vertical positions
- The wall fixed accessory allows horizontal directioning of air heater in any direction wing to its capacity of swivelling 180°
- Manual reset over-temperature switch-off.
- Protecting grids that eliminate the risk of direct contact with the fan or indirect contact with the heater shield.
- Automatic function that eliminates the inertial heat of heating elements.
- Internal insulation chamber.

Model	Air flow m³/h (free discharge)	Heating power		Operating voltage Vac	Sound pressure level db	Stop	Ventilation	Operation			Weight in kg	
		kW	Kcal/h					Heating Power			No case	Case
								1/3	2/3	full		
ANB 3,6	210	3,6	3100	230	≈ 50	According to operation	According to operation		2400W	3600W	8,3	9,7
ANB 3,6SN	210	3,6	3100	3 400	≈ 50			1200W	2400W	3600W	8,3	9,7
ANB 3,6B	210	3,6	3100	3N 400	≈ 50			1200W	2400W	3600W	8,3	9,7
ANB 6SN	465	6	5160	3N 400	≈ 50			1200W	4000W	6000W	10,5	13,2
ANB 6	465	6	5160	3N 400	≈ 50			2000W	4000W	6000W	10,5	13,2
ANB 9	975	9	7740	3N 400	≈ 50			3000W	6000W	9000W	11,95	15,05
ANB 12	1390	12	10320	3N 400	≈ 50			4000W	8000W	12000W	17,75	22,55
ANB 17	1390	17	14620	3N 400	≈ 50			5666W	11333W	17000W	18,7	23,5

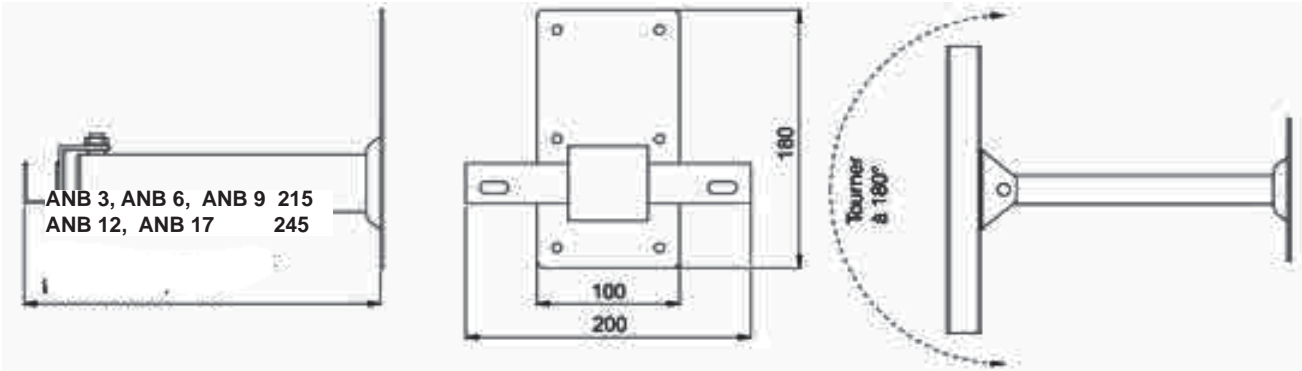
Dimensions in mm							
Model	A	B	C	D	E	F	G
ANB 3,6	220	338	172	349	274	445	1700
ANB 3,6SN	220	338	172	349	274	445	1700
ANB 3,6B	220	338	172	349	274	445	1700
ANB 6SN	220	338	172	349	274	445	1700
ANB 6	268	338	192	360	324	470	1700
ANB 9	320	440	192	408	324	545	1700
ANB 12	366	486	285	470	420	625	2100
ANB 17	366	486	285	470	420	625	2100



## WALL-FIXED ACCESSORY FOR ANB MODELS

The wall fixed accessory will allow you to easily install your FHA blow heater on the wall of your premises. Its 180° horizontal turning support together with the 5 different vertical orientation positions allows the current of hot air supplied by the ANB to be directed in the direction that you want.

Model	Description	Pes en kg	
		Not case	Case
<b>SOPANB1</b>	For ANB 3,6 ANB 3,6SN ANB 3,6B ANB 6 ANB 6SN ANB 9	1,06	1,21
<b>SOPANB2</b>	For ANB 12 ANB17	1,02	1,29



## ELECTRICAL AIR HEATERS FOR MURAL HIGH-LEVEL FIXED INSTALLATION RMO AND RMOB RANGE

A high-level fixed installation is an installation with a level not lower than 1.8 m above ground level, according to EN-60335-2-30.



### General characteristics

- Fixed device high level wall installation.
- Advanced design casing, finished with paint dried at 150 °C.
- By means of a simple action on the side handle, you can vertically orientate the heater in four fixed positions.
- Protective front grill.
- Silent ventilator.
- Hot or cold air indicator.
- Safety manual reset thermostat.
- Ventilator motor integrated in the cabinet, with protective mesh preventing access to blades.
- Integrated earth connection.
- Maximum room temperature recommended: 40 °C
- All models, except the RMO4, are fitted with air temperature thermostat connection and switch operation connection.
- The RMO4 model is equipped with a connection cable, length 1100 mm
- RMO4 and RMO4A models are fitted with connection cable, length 1100 mm
- The RMO range incorporates NiCr wire alloy spiral batteries.
- The RMOB range incorporates stainless steel tubular elements batteries.
- The RMO models incorporate an automatic function that after air temperature thermostat or safety thermostat shutdown, keeps the fan running while the heating elements are still hot.
- The complete range of RMO electric unit heaters, except the RMO4, allows a wide range of tailor-made automatic functions to be programmed using the junction box:
  - Temperature control using an external air temperature thermostat (on request).
  - Control of working times using a timer (on request).
  - Control of various air heaters through one single device

## RMO MODELS

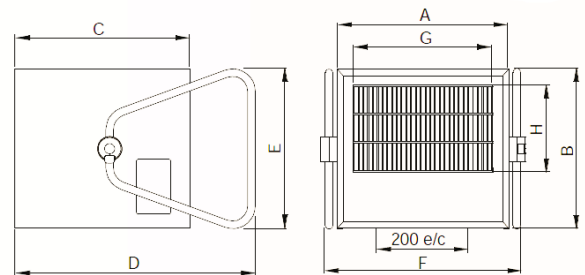
Model	Air flow m <sup>3</sup> /h (free discharge)	Heating power		Operating voltage V *	Sound level db	Operation				Voltage change options	Recom. height in m	kg
		kW	kcal/h			N° Swit.	Fan 1°	Heat 2°	kW 3°			
<b>RMO4</b>	430	3,6	3100	~230	≤ 50	3	Yes	1,8	1,8	--	1,8 a 2	7,7
<b>RMO4A</b>	430	3,6	3100	2~400	≤ 50	3	Yes	1,8	1,8		1,8 a 2	7,7
<b>RMO6</b>	690	6	5160	3~400 star	≤ 50	2	Yes	6	-	~230 3~230 Δ 3~400 star.	1,8 a 2,2	9,7
<b>RMO9</b>	875	9	7740	3~400 star	≤ 55	2	Yes	9	-	3~230 Δ 3~400 star	2 a 2,5	16,6
<b>RMO 13,5</b>	1490	13,5	11610	3N~400 star	≤ 60	2	Yes	13,5	-	3~230 Δ 3~400 star 3N~400 star	2 a 3	23,8
<b>RMO 18</b>	1490	18	15480	3N~400 star	≤ 60	2	Yes	18	-	3~230 Δ 3~400 star 3N~400 star	2 a 3	24,3

## RMOB MODELS

Model	Air flow m <sup>3</sup> /h (free discharge)	Heating power		Operating voltage V *	Sound level db	Operation				Voltage change options	Recom. height in m	kg
		kW	kcal/h			N° Swit.	Fan 1°	Heat 2°	kW 3°			
<b>RMOB6</b>	690	6	5160	3~400 star	≤ 50	2	Yes	6	-	~230 3~230 Δ 3~400 est.	1,8 a 2,2	10,9
<b>RMOB9</b>	875	9	7740	3~400 star	≤ 55	2	Yes	9	-	3~230 Δ 3~400 est	2 a 2,5	18,1
<b>RMOB 13,5</b>	1490	13,5	11610	3N~400 star	≤ 60	2	Yes	13,5	-	3~230 Δ 3~400 est 3N~400 est	2 a 3	26
<b>RMOB 18</b>	1490	18	15480	3N~400 star	≤ 60	2	Yes	18	-	3~230 Δ 3~400 est 3N~400 est	2 a 3	26,5

(\*) The electric air heater is supplied connected to the operating voltage indicated. See table for options for change voltage

Dimensions in mm								
Model	A	B	C	D	E	F	G	H
<b>RMO4</b>	302	245	209	398	319	371	274	217
<b>RMO4A</b>	302	245	209	398	319	371	274	217
<b>RMO6 / RMOB6</b>	302	245	260	398	319	371	274	217
<b>RMO9 / RMOB9</b>	400	288	380	442	319	469	371	257
<b>RMO13,5 / RMOB13,5</b>	412	383	443	540	382	481	336	228
<b>RMO18 / RMOB18</b>	412	383	443	540	382	481	336	228



## WALL SUPPORT FOR THE RMO / RMOB RANGE

Model	Description	Pes kg
<b>SOPRMO</b>	For RMO i RMOB range	1,1

The wall support kit includes all necessary accessories for installation

