



**CRN TECNOPART, S.A.**

Sant Roc 30  
 08340 VILASSAR DE MAR (Barcelona)  
 Tel 902 404 748 - 937 591 484 Fax 937 591 547  
 e-mail: [crn@crntp.com](mailto:crn@crntp.com) [http:// www.crntecnopart.com](http://www.crntecnopart.com)



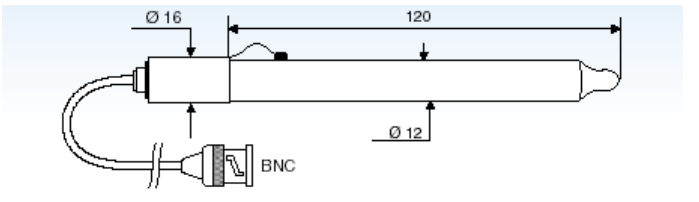
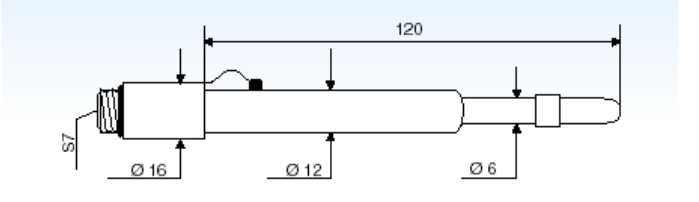
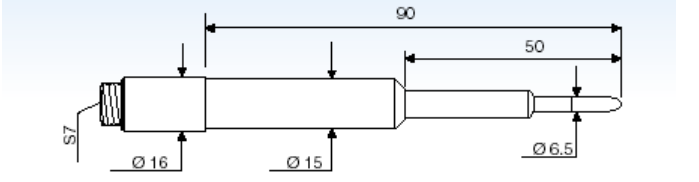
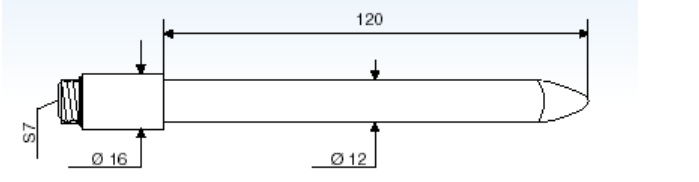
**DO-060.92E**

## BENCH TOP INSTRUMENTS DELTA OHM

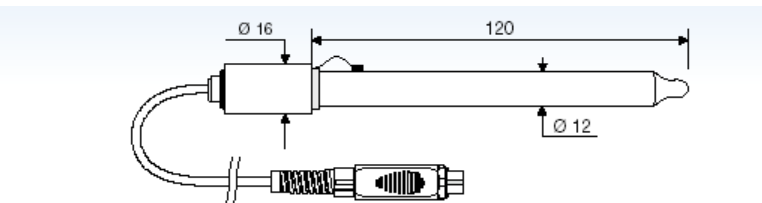
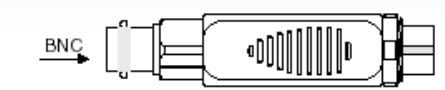
### PROBES AND MEASURING ELECTRODES

**PH electrodes without SICRAM module for HD2205.2 - HD2256.2 - HD2259.2 and HD22569.2  
 HD3405.2 and HD3456.2**

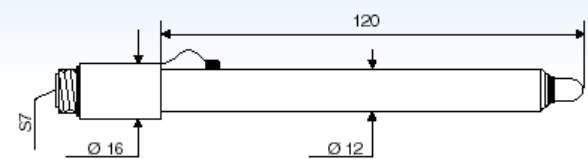
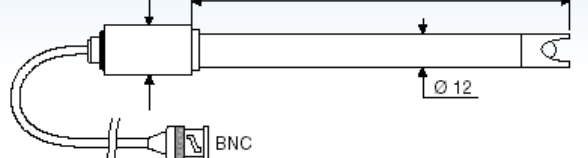
<p><b>KP20</b>            0...14pH / 0...80°C / 3bar            Body in Epoxy - GEL filled            1 ceramic diaphragm            Waste water, drinking water, paints, water emulsions, galvanic baths, fruit juices, water suspensions, titration, varnishes.</p>	
<p><b>KP 30</b>            0...14pH / 0...80°C / 3bar            Body in Epoxy - GEL filled            1 ceramic diaphragm            Cable L=1m with BNC            Waste water, drinking water, water emulsions, galvanic baths, paints, varnishes, water suspensions, fruit juices, titration.</p>	
<p><b>KP 50</b>            0...14pH / 0...80°C / 3bar            Body in glass - GEL filled            1 Teflon ring diaphragm            Varnishes, cosmetics, water emulsions, galvanic baths, creams, deionised water, TRIS solutions, drinking water, fruit juices, low-ion-content solutions, mayonnaise, preserved food, paints, titration, titration in non-water solutions, water suspensions, detergents, waste water, viscous samples.</p>	
<p><b>KP 61</b>            2...14pH / 0...80°C / 3bar            Body in glass            Liquid reference filling            Triple ceramic diaphragm            Waste water, paste, bread, fruit juices, varnishes, cosmetics, creams, deionised water, drinking water, water emulsions, galvanic baths, detergents, yoghurt, milk, titration, preserved food, titration in non-water solutions, water suspensions, mayonnaise, wine, low ion-content solution, butter, proteic substances, paints, viscous samples</p>	
<p><b>KP 62</b>            0...14pH / 0...80°C / 3bar            Body in glass - GEL filled            1 ceramic diaphragm            Paints, varnishes, drinking water, water emulsions, fruit juices, galvanic baths, water suspensions, titration, waste water.</p>	

<p><b>KP 63</b>  0...14pH / 0...80°C / 1bar  Body in glass  Reference filling solution KCl 3M  1 ceramic diaphragm  Cable L=1m with BNC  Paints, varnishes, drinking water, water solutions, fruit juices, galvanic baths, water suspensions, titrations, waste water.</p>	
<p><b>KP 64</b>  0...14pH / 0...80°C / 0.1bar  Body in glass  Liquid reference KCl 3M  Teflon collar diaphragm  Paints, varnishes, cosmetics, creams, deionised water, drinking water, water emulsions, fruit juices, detergents, low ion-content solutions, preserved food, water suspensions, titration, titration in non-water solutions, TRIS solutions, waste water, viscous samples, wine.</p>	
<p><b>KP 70</b>  2...14pH / 0...50°C / 0.1bar  Body in Epoxy - GEL filled  1 open junction  Paste, bread, paints, varnishes, cosmetics, creams, drinking water, water emulsions, fruit juices, galvanic baths, detergents, mayonnaise, preserved foods, cheese, milk, water suspensions, viscous samples, waste water, butter, yoghurt.</p>	
<p><b>KP 80</b>  2...14pH / 0...60°C / 1bar  Body in glass - GEL filled  1 open junction  Paste, bread, paints, varnishes, cosmetics, creams, drinking water, water emulsions, fruit juices, galvanic baths, detergents, mayonnaise, preserved food, water suspensions, titration, titration in non-water solutions, viscous samples, waste water, yoghurt, milk, butter.</p>	

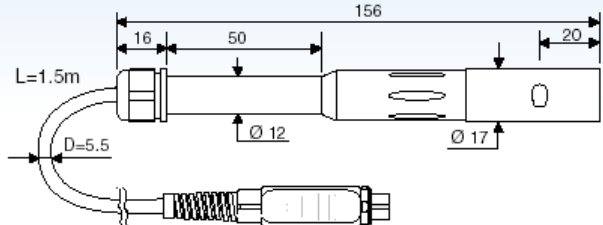
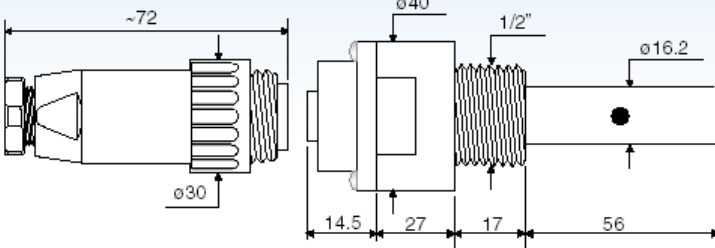
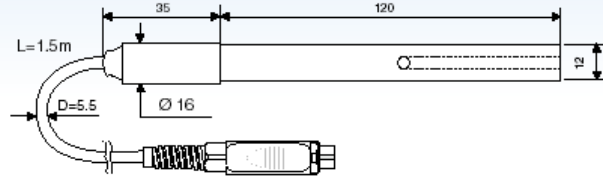
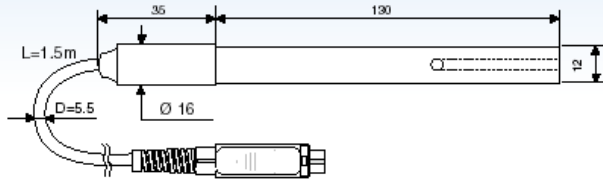
**PH electrodes with SICRAM module for HD2205.2 - HD2256.2 - HD2259.2 and HD22569.2**

<p><b>KP 63 TS</b>  0...14pH / 0...80°C / 1bar  Body in glass  Reference filling solution KCl 3M  1 ceramic diaphragm  Cable L=1m with BNC  Paints, varnishes, drinking water, water solutions, fruit juices, galvanic baths, water suspensions, titrations, waste water.</p>	
<p><b>KP 47</b>  Please refer to employed electrode.,  Stored in memory calibrations of the electrode connected.</p>	

**Redox Electrodes for HD2205.2 - HD2256.2 - HD2259.2 and HD22569.2  
HD3405.2 and HD3456.2**

<p><b>KP 90</b>  <math>\pm 2000\text{mV}</math>  <math>0 \dots 80^\circ\text{C}</math>                      5bar                      Body in glass                      Reference filling solution                      KCl 3M                      General use</p>	
<p><b>KP 91</b>  <math>\pm 1000\text{mV}</math>  <math>0 \dots 60^\circ\text{C}</math>                      1bar                      Body in Epoxy - GEL                      Cable L=1m with BNC                      General use                      No heavy tasks</p>	

**Conductivity probes without SICRAM module 2 or 4 electrodes for HD2206.2 - HD2256.2 and HD22569.2  
HD3406.2 and HD3456.2**

<p><b>SP 06T</b>  <math>K=0.7</math>  <math>5\mu\text{S/cm} \dots 200\text{mS/cm}</math>  <math>0 \dots 90^\circ\text{C}</math>                      4-electrode cell                      in Pocan/Platinum                      Probe material Pocan                      General use                      No heavy tasks</p>	
<p><b>SPT 401.001</b>  <math>K=0.01</math>  <math>0.04\mu\text{S/cm} \dots 20\mu\text{S/cm}</math>  <math>0 \dots 120^\circ\text{C}</math>                      2-electrode cell in AISI 316                      Ultrapure water                      Measurement in closed-cell</p>	
<p><b>SPT 01G</b>  <math>K=0.1</math>  <math>0.1\mu\text{S/cm} \dots 500\mu\text{S/cm}</math>  <math>0 \dots 80^\circ\text{C}</math>                      2-electrode cell                      in Platinum-wire                      Probe material glass                      Pure water</p>	
<p><b>SPT 1G</b>  <math>K=1</math>  <math>10\mu\text{S/cm} \dots 10\text{mS/cm}</math>  <math>0 \dots 80^\circ\text{C}</math>                      2-electrode cell in Platinum wire                      Probe material glass                      General heavy use,                      average conductivity</p>	

**Conductivity probes without SICRAM module 2 or 4 electrodes for HD2206.2 - HD2256.2 and HD22569.2  
HD3406.2 and HD3456.2**

<p><b>SPT 10G</b>                  K=10                  500µS/cm ...200mS/cm                  0...80°C                  2-electrode cell in Platinum wire                  Probe material glass                  General heavy use,                  high conductivity</p>	
---	--

**Conductivity probes with SICRAM module**

<p><b>SPT 1GS</b>                  K=1                  10µS/cm ...10mS/cm                  0...80°C                  2-electrode cell                  in Platinum-wire                  Probe material glass</p>	
--	--

**Disolved oxygen probe for HD2259.2 and HD22569.2  
HD3409.2**

Model	DO9709 SS	DO9709 SS.5
Type	Polarographic probe, Silver anode, Platinum cathode	
Application range		
Oxygen concentration	0.00...60.00mg/l	
Working temperature	0...45°C	
Accuracy	±1% f.s.	
Membrane	Replaceable	
Cable length	2m 5m	5m (*)

\* Cable with connector

<p><b>DO9709SS</b></p>	
<p><b>DO9709SS.5</b></p>	

## Temperature probes

### Temperature probes with Pt100 sensor, complete with SICRAM module

MODEL	TYPE	RANGE	ACCURACY
TP 87	Immersion	-50 °C a 200 °C	±0.25°C (-50°C...+200°C)
TP472I.0	Immersion	-50 °C a 400 °C	±0.25°C (-50°C...+350°C) ±0.4°C (+350°C...+400°C)
TP473P.0	Penetration	-50 °C a 400 °C	±0.25°C (-50°C...+350°C) ±0.4°C (+350°C...+400°C)
TP474C.0	Contact	-50 °C a 400 °C	±0.3°C (-50°C...+350°C) ±0.4°C (+350°C...+400°C)
TP475A.0	Air	-50 °C a 250 °C	±0.3°C (-50°C...+250°C)
TP472I.5	Immersion	-50 °C a 400 °C	±0.3°C (-50°C...+350°C) ±0.4°C (+350°C...+400°C)
TP472I.10	Immersion	-50 °C a 400 °C	±0.3°C (-50°C...+350°C) ±0.4°C (+350°C...+400°C)

### Pt100 4 wires probes and Pt1000 2 wires probes complete with TP47 module

MODEL	TYPE	RANGE	ACCURACY
TP47.100	Pt 100	-50 °C to 400 °C	Class A
TP47.1000	Pt 1000	-50 °C to 400 °C	Class A
TP87.100	Pt 100	-50 °C to 400 °C	Class A
TP87.1000	Pt 1000	-50 °C to 400 °C	Class A