



# CRN TECNOPART, S.A.

Sant Roc 30  
08340 VILASSAR DE MAR (Barcelona)  
Tel 902 404 748 - 937 591 484 Fax 937 591 547  
e-mail: [crn@crntp.com](mailto:crn@crntp.com) [http:// www.crntecnopart.com](http://www.crntecnopart.com)



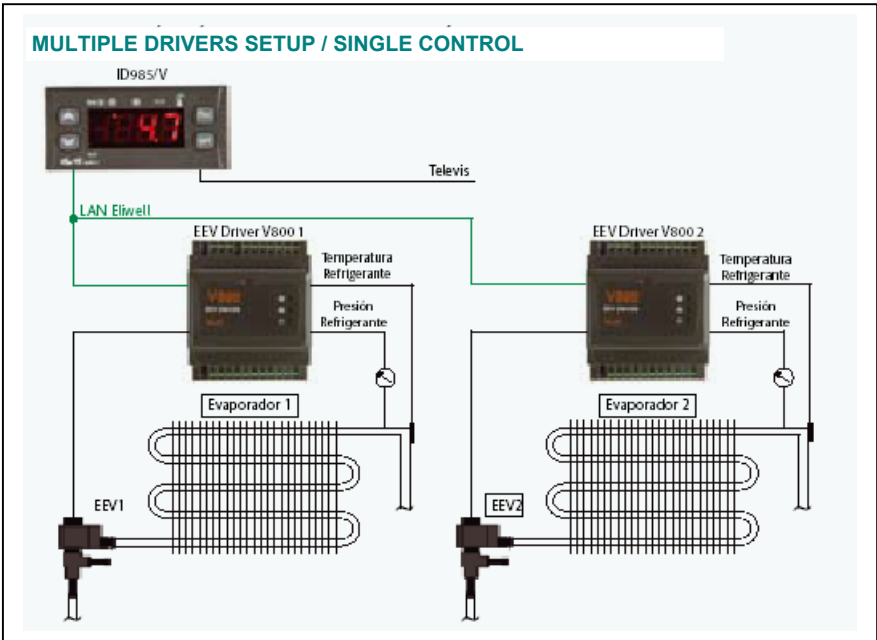
## ID 985V – V800 REGULATORY SYSTEM FOR ELECTRONIC EXPANSION VALVE



DESIGNED AND BUILT WITH THE LATEST TECHNOLOGY  
EASY TO USE

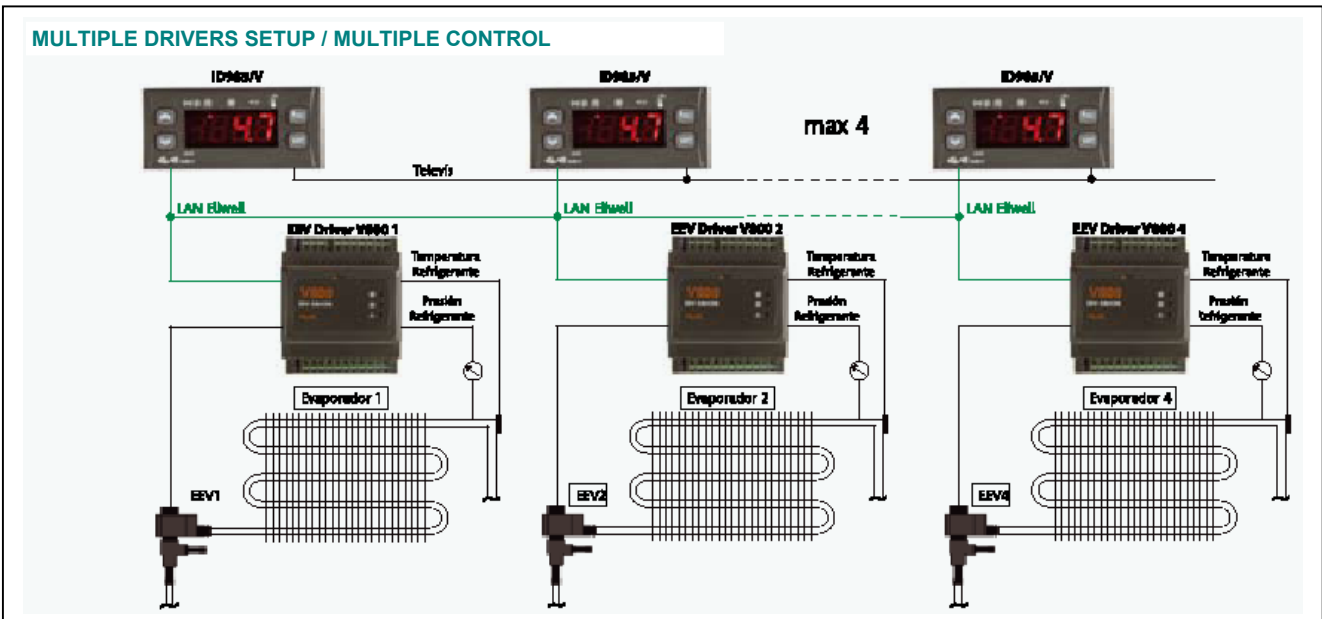
ADAPTIVE PID, predictive and AUTO-CONFIGURABLE  
GUARANTEED ENERGY SAVING THE MAYOR AND THE OPTIMUM EVAPORATOR OVERHEATING IN EVERY MOMENT

- configurable micro-switch, keyboard or IWR ID985 / V or by copy-card-usb
- compatible with most refrigerants.
- possibility that the user can configure cooling table (through device manager and copy card-usb).



### DIFFERENT MODES OF OPERATION

- A driver - no driver
  - A driver - a driver
  - Multiple drivers - the only control
  - Multiple drivers - multiple checks
- COMPATIBLE WITH MOST OF THE EXISTING VALVES ON THE MARKET**
- AKV10, 15 and 20 AC/DC - Danfoss
  - EX2 AC - Alco
  - HP 130 AC - DS1120 AC - Parker



# V 800 CONTROLLED EXPANSION VALVE FOR ELECTRONIC PULSES

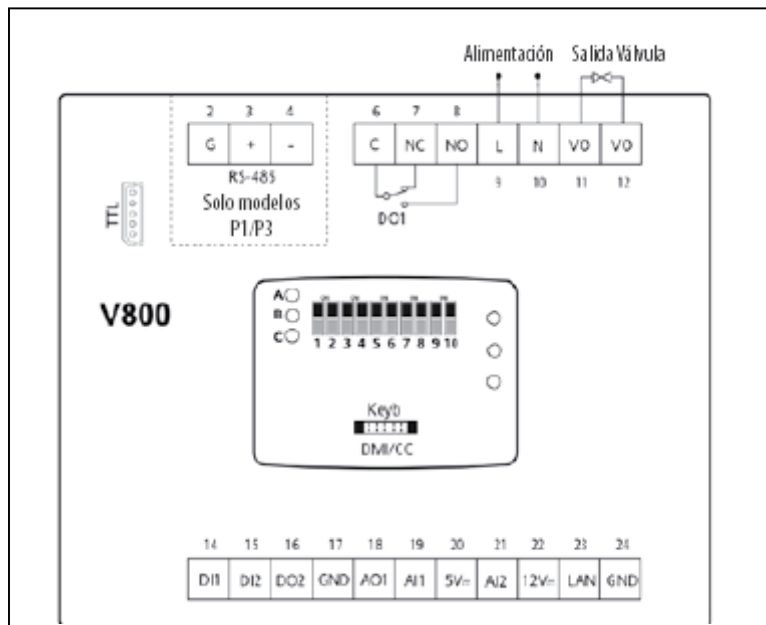


MODEL	DESCRIPTION	VOLTAGE
V 800 / P1	Output AC + RS485	230V
V 800 / P2	Output AC	230V
V 800 / P3	Output DC + RS485	230V
V 800 / P 4	Output DC	230V
IWK / V	Remote terminal	

## FEATURES

"Case: plastic body in resin PC + ABS UL94 V-0, glass polycarbonate, buttons in thermoplastic resin.  
 »Dimensions: 70.2x87 mm Front, depth 61.6 mm  
 "Mounting: DIN Guide  
 »Terminals: Screw for cable section 2,5  
 »Series:  
 - TTL (MD / DC) for connection to Copy Card or USB IWK / V.  
 -TTL for connection Televis / Modbus  
 -Only models / P1 / P3: RS485 for direct connection to Televis / Modbus  
 »LAN for connection to 3-wire interface in tension. Distance max. 100m  
 »Temperature: -10 ... +55 ° C  
 »Storage temperature: -30 ... +85 ° C  
 "Humidity use and storage: 10 ... 90% RH (non-condensing).  
 "Analog Inputs: 2 NTC inputs / 4 ... 20mA configurable  
 »1 admission NTC/4...20mA/0-5V/Lan (remote) configurable  
 "Digital Inputs: 2 inputs configurable voltage free  
 "Digital Outputs: 2  
 SPDT relay -1: N.O. 5A 250VA, N.C. 19A 1950Va  
 -1 Open Collector current 1000mA @ 30Vc ma  
 "Analog output: 1 output 0-10V 20mA max  
 "Resolution 0.1% Accuracy 1% F.S.  
 "Measuring range: -55 to 140 ° C.  
 'Accuracy: better than 0.5% of f. e. +1 Digit.  
 »Resolution: 1 or 0.1 ° C.  
 "Consumption: 3 VA.  
 »Power: 100 ... 240V ± 10% 50/60 Hz

## WIRING DIAGRAM



# ID 985 / V ELECTRONIC CONTROL MANAGEMENT BY SERIAL DRIVER V 800 LAN



MODEL	DESCRIPTION	VOLTAGE
ID 985 / V	Electronic control via serial management V800 LAN driver	100...240V ±10% 50/60Hz

## FEATURES

- "Front Protection: IP65.
- "Case: plastic body resin PC + ABS UL94 V-0, glass, polycarbonate, keys thermoplastic resin.
- »Dimensions: front 74x32mm, depth 60 mm.
- "Mounting: on panel mounting template 71x29 mm (+0.2 / -0.1 mm).
- »Operating temperature: -5 ... 55 ° C.
- »Storage temperature: -30 ... 85 ° C
- "Use environment humidity: 10 ... 90% RH (non-condensing).
- »Storage Humidity 10 ... 90% RH (non-condensing).
- "Field display: -50 ... 110 (NTC);  
-55 ... 140 (PTC) ° C without decimal point  
(Selectable with parameter) on display 3 ½ digit + sign.
- "Analog inputs: three PTC or NTC inputs  
(Selectable with parameter).
- "Digital inputs: 2 voltage-free digital inputs  
(Configurable parameter).
- »Series:
  - TTL for connection to Copy Card.
  - RS485 for connection to system TelevisSystem
  - LAN - LAN / ECHO: LAN output
- "Digital outputs: 4 relay outputs:
  - (A) SPDT 5 (2) 1 / 4 HP 250VA,
  - (B-C-D) 3A SPST 250VA,
- »LAN: LAN outputs
- "Measuring range: -55 to 140 ° C.
- 'Accuracy: better than 0.5% of full scale +1 digit.
- »Resolution: 1 or 0.1 ° C.
- "Consumption: 3 VA.
- »Power: 100 ... 240Va ± 10% 50/60 Hz

## WIRING DIAGRAM

